

MiaSolé FLEX SERIES -02NL

CIGS Flexible Modules: High Power Density in a Flexible Form Factor

KEY FEATURES

- ▶ Record efficiency levels in a CIGS flexible form factor
- ▶ Low installed weight at less than 2.9kg/m² (<0.6lb/sq ft)
- ▶ No penetrations, ballast or racking required
- ▶ Applicable for high wind load and high seismic hazard areas
- ▶ Bypass diode every two cells reduces PV system shading losses
- ▶ Directly bonds to many approved surfaces

RELIABILITY AND SAFETY

- ▶ IEC 61646 & IEC 61730
- ▶ UL 1703

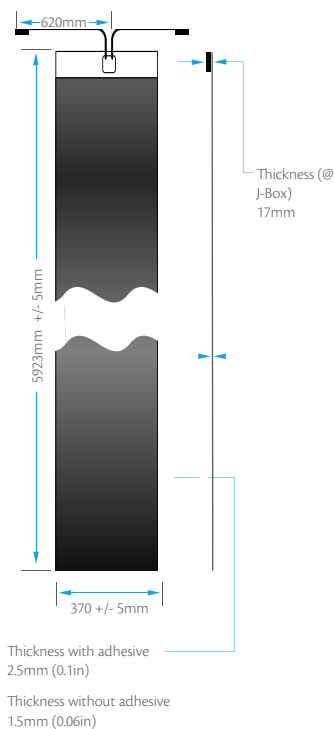
WARRANTY

- ▶ 5 year workmanship
- ▶ 10/25 year warranty against power loss



MiaSolé FLEX SERIES

FLEX-02NL SERIES CIGS MODULE



ELECTRICAL PERFORMANCE AT

			FLEX-02 265NL	FLEX-02 275NL	FLEX-02 285NL	FLEX-02 295NL	FLEX-02 305NL
Nominal Power	P_{MPP}	[W]	265	275	285	295	305
Nominal Efficiency	η	[%]	14.7%	15.3%	15.8%	16.4%	16.9%
Power Output Tolerance		[W]	+10/-0	+10/-0	+10/-0	+10/-0	+10/-0
Maximum Power Voltage	V_{MPP}	[V]	69.0	70.7	72.3	73.8	75.3
Maximum Power Current	I_{MPP}	[A]	3.84	3.89	3.94	4.00	4.05
Open Circuit Voltage	V_{OC}	[V]	87.9	89.0	90.0	91.0	92.1
Short Circuit Current	I_{SC}	[A]	4.51	4.52	4.54	4.55	4.57
Maximum Series Fuse		[A]	10				
Maximum System Voltage	IEC/UL	[V]	1000/600				

¹Results based on preliminary testing

THERMAL CHARACTERISTICS

NOCT	[°C]	48
Temperature Coefficient of P_{MPP}	[%/°C]	-0.38
Temperature Coefficient of V_{OC}	[%/°C]	-0.28
Temperature Coefficient of I_{SC}	[%/°C]	0.008

PHYSICAL AND MECHANICAL SPECIFICATIONS¹

Length	5923 mm (233.2 in)
Width	370 mm (14.6 in)
Thickness, Maximum at J-Box*, Module	17 mm (0.7 in)
Weight (Module without adhesive)	4.3 kg (9.5 lb)
Weight (Module with adhesive)	5.9 kg (13.1 lb)
Weight/Area (Module without adhesive)	2.0 kg/m ² (0.4 lb/ft ²)
Weight/Area (Module with adhesive)	2.9 kg/m ² (0.6 lb/ft ²)
Junction Box Type	IP68
Cable Connections	MC4 Compatible
Cell Type	Copper Indium Gallium Diselenide (CIGS)
Warranty**	5 year workmanship; 10/25 year power output
Certifications	UL 1703, IEC 61646, IEC 61730

¹Results based on preliminary testing

*2.5 mm (0.1 in) for the rest of the module with adhesive

*1.5 mm (0.06 in) for the rest of module without adhesive

**Please see full warranty for details



2590 Walsh Avenue, Santa Clara, California 95051, USA
1.408.919.5700 info@miasole.com www.miasole.com

MiaSolé and the MiaSolé logo are registered trademarks.
© Jan 2016 MiaSolé. All rights reserved. Specifications included in this datasheet are subject to change without notice.
MiaSolé Approved for Public Release.
Part Number 990-190440-00_1